



EMULATION TECHNOLOGY, INC.

Specification Number: M4227

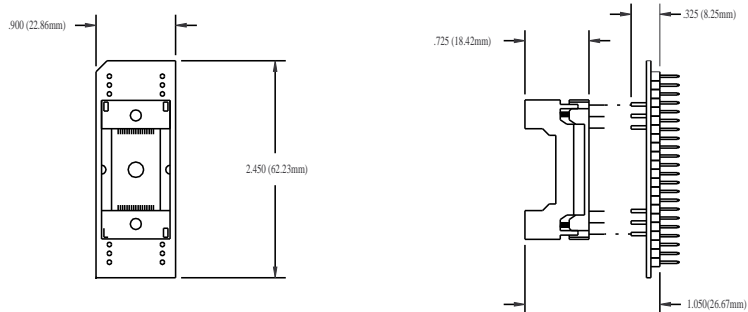
PROGRAMMING ADAPTER SPECIFICATION

Item: 484405TS6YAMS
Description: AS-48-44-05TS-6YAM-S

REPLACEMENT SOCKET: S-TSO-00-048-C

Call Emulation Technology for a replacement socket price and delivery quote.

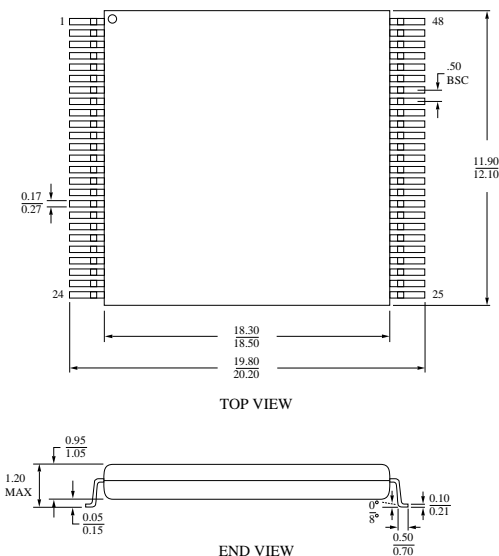
TYPICAL DIMENSIONS:



All Dimensions in Inches.

(Assembly Drawing: F4227)

PACKAGE SPECIFICATIONS:



All Dimensions in Millimeters.

ET Code: 048-TS01

Notes:

- TSOP14 (WP#) and 37 (Vcc) and are tied to power plane 3. TSOP47 (Vccq) is tied to power plane 4. DIP42 (Vcc/Vccq) is tied to power planes 3 & 4.
- TSOP27 (GND) and DIP13 (GND) are tied to GND plane 2. TSOP46 (GNDq) and DIP32 (GNDq) are tied to GND plane 5.

Compatible TSOP devices:
TE28F160B3 TE28F800B3
TE28F400B3

Manufacturers:
Intel

CONNECTION TABLE:

| 48-Lead TSOP SOCKET | PIN Names | 44-Pin DIP Base |
|---------------------|--|-----------------|
| 12 | RP# | 1 |
| 26 | CE# | 2 |
| 13 | V _{PP} | 3 |
| 11 | WE# | 4 |
| 45 | DQ15 | 5 |
| 43 | DQ14 | 6 |
| 41 | DQ13 | 7 |
| 39 | DQ12 | 8 |
| 36 | DQ11 | 9 |
| 34 | DQ10 | 10 |
| 32 | DQ9 | 11 |
| 30 | DQ8 | 12 |
| 27(L2) | GND ² | 13(L2) |
| 44 | DQ7 | 14 |
| 42 | DQ6 | 15 |
| 40 | DQ5 | 16 |
| 38 | DQ4 | 17 |
| 35 | DQ3 | 18 |
| 33 | DQ2 | 19 |
| 31 | DQ1 | 20 |
| 29 | DQ0 | 21 |
| 28 | OE# | 22 |
| 25 | A0 | 23 |
| 24 | A1 | 24 |
| 23 | A2 | 25 |
| 22 | A3 | 26 |
| 21 | A4 | 27 |
| 20 | A5 | 28 |
| 19 | A6 | 29 |
| 18 | A7 | 30 |
| 8 | A8 | 31 |
| 46(L5) | GND _Q ² | 32(L5) |
| 7 | A9 | 33 |
| 6 | A10 | 34 |
| 5 | A11 | 35 |
| 4 | A12 | 36 |
| 3 | A13 | 37 |
| 2 | A14 | 38 |
| 1 | A15 | 39 |
| 48 | A16 | 40 |
| 17 | A17 | 41 |
| 37/47(L3/4) | V _{cc} /V _{ccq} ¹ | 42(L3/4) |
| 15 | A19 | 43 |
| 16 | A18 | 44 |



EMULATION TECHNOLOGY, INC.

2344 WALSH AVENUE • BUILDING F
SANTA CLARA, CA 95051-1301
TEL 408 / 982.0660 • FAX 408 / 982.0664

Call today for a FREE Full Line Catalog and Unlimited Application Consulting!